



C-SERIES PATIO UMBRELLAS

INSTRUCTIONS FOR ASSEMBLY AND RECOMMENDED USE

READ THIS HANDBOOK IMMEDIATELY.

These instructions are provided for your safety and to facilitate the assembly of the CAPRI umbrella.

Please follow the instructions carefully.

Failure to do so may result in injury or damage. If in doubt contact your dealer.

- △ This symbol indicates very important information. Follow instructions accompanied by this symbol with extreme care. This does not mean that the other information contained in this handbook is not important.

Keep this handbook for future reference.

IMPORTANT SAFETY INSTRUCTIONS

△ APPLIES TO ALL IN THIS SECTION

1. INSTRUCTIONS

- Please read and follow all the instructions.
- Damage or injury may result if the umbrella is not assembled and used as described herein.
- For safe use it is essential that anyone using the umbrella read all the instructions in advance.
- Only persons familiar with the safety aspects should operate this umbrella.

2. PRECAUTIONS

- Your umbrella serves as a protection from the sun, not as protection from all bad weather. It must be closed and removed from the frame in the presence of strong winds or thunderstorms, as well as heavy rain or snow.
- Always close and remove the umbrella from its frame at night, when you are not at home, and whenever it is not under control.
- The base must be weighed down with a minimum weight of 100 kg (200 lbs)
- Always remove the handle from the winch and keep it out of children's reach.

ASSEMBLY INSTRUCTIONS

COMPONENTS (fig. 1):

A	Base (A)	G	Winch
B	Base (B)	H	Handle
B'	Base (B')	I	Rod
C	Base pole	L	Cap
D	Vertical pole	M	Bag of hardware
E	Cantilever pole	N	Adjustment key
F	Umbrella		

BASE ASSEMBLY (fig. 2 - fig. 2 Bis)

Assemble the base as shown in fig 2.

Place the four slabs in position in the base.

IMPORTANT: the two holes (a) in the base pole (C) must match the two holes (a') of base (B).

Δ : **Tighten the base bolts well.**

Δ : **Ballast the base with a weight of at least 100 KG (200 lbs).**

FRAME ASSEMBLY (Fig. 3 - fig.3a - fig. 3b - fig. 3c - fig. 3d)

1. (fig 3a) Slip the cantilever pole (E) into the vertical pole (D) and block the two parts with the bolt (P).

The adjustment screw (Q) must be turned downwards.

Δ : **Tighten the bolt (P) well.**

2. (fig 3b) Insert the vertical pole (D) in the base pole (C).

IMPORTANT: the vertical pole (D) must be pushed all the way into the square housing of the adjustment ring (O).

3. (fig. 3c) grip the umbrella and slip the umbrella attachment (R) into the cantilever pole (E)

Δ : **the umbrella attachment (R) must be pushed all the way into the cantilever pole (E).**

4. (fig.3) pass the steel cable (Z) through the pulley (S).

5. (fig. 3d) fit the handwheel (T) into the threaded hole of the vertical pole (D).

6. Insert the winch slot (G) onto the handwheel screw (T).

Next insert the winch (G) pin (b) into the hole (b') of the vertical pole (D) and screw the handwheel (T) well in.

7. Insert the handle (H) into the hole of the winch (G).

Your umbrella is now ready for use.

HOW TO USE YOUR UMBRELLA

OPENING THE UMBRELLA (fig.3)

IMPORTANT: Before opening the umbrella remove the tie string and with you hands on the ribs slightly open the umbrella.

To open the umbrella , gently turn the handle (H) of the winch (G) clockwise, taking care not to force the mechanism.

Δ : the umbrella must only be opened when the closed umbrella is not tilted (perpendicular to the ground).

UMBRELLA ADJUSTMENT (fig. 4)

1. Insert the adjustment key (N) into the adjustment screw (Q).

IMPORTANT: push the adjustment key (N) right into the screw head (Q).

2. Loosen the adjustment screw (Q) rotating the key (N) half a turn counterclockwise.

3. Rotate the cantilever pole (E) using the key (N) as a lever until the umbrella reaches the desired angle.

4. Block the adjustment screw (Q) rotating the key (N) clockwise.

Δ : The tilt adjustment is to be performed only when the umbrella is open.

ROTATION OF THE UMBRELLA AROUND THE BASE (fig. 5 - fig. 2)

The frame can rotate 360° around the base and can be fixed in 20 different positions by inserting the key (U) into the adjustment ring (O) (Fig.5).

IMPORTANT: The key (U) must be inserted into the adjustment ring (O) at hole (a) of the base pole (C) (fig. 2).

REMOVAL OF THE UMBRELLA FROM THE FRAME (fig. 3 - fig. 6)

1. Close the umbrella by rotating the handle (H) counterclockwise.

Δ : The umbrella must only be closed when it is not tilted.

2. Loosen the handwheel (T), remove the winch (G) from the vertical pole (D) and remove the steel cable (Z) from the pulley (S).

3. Remove the umbrella (F) from the frame by removing attachment (R) from the cantilever pole (E).

4. Put the cap (L) on using the rod (I) (fig 6).

MAINTENANCE AND CARE

REMOVING THE WINCH AND COVERING THE UMBRELLA (fig. 7 - 7a - 7b)

1. (fig. 7) undo screw (V) and free the steel cable (Z) .
2. (fig. 7a) release the 6 tabs (X) from the 6 ribs (W).
3. (fig. 7b) remove the screw (V') from the umbrella attachment (R).
4. Remove the umbrella attachment (R) from the umbrella pole(J).
5. Remove the steel cable (Z) from the umbrella pole (J) and from the umbrella attachment (R). In this way you can remove the winch (G) from the umbrella (fig. 7b).
6. Remove the cover from the umbrella pole (J).

WASHING THE COVER

1. Remove the cover from the umbrella.
2. Wash the cover by hand in lukewarm water 30 °C (90 °F)
3. Allow the cover to dry but do not tumble dry or iron.
4. Replace the cover on the frame.

CHANGING A RIB (FIG. 7a - 8 - 8a)

1. Release the 6 tabs from the 6 ribs (W) (fig. 7a)
2. Release the rib to be changed (W) from the housing (Y') pulling forcefully upwards (fig.8).
3. Rotate the rib (W) 180° and release the other end from the band (Y'') pulling firmly upwards (fig. 8a).
4. Change the rib repeating the above operations in reverse.

STORING THE UMBRELLA AT THE END OF THE SEASON

At the end of the season, before storing your CAPRI away, clean the frame with a damp cloth and dry.

Δ : Check that no parts are damaged. Should any parts be damaged contact the dealer where it was purchased and order the spare parts.

Touch up any chipped paint.

For perfect conservation of the CAPRI during the winter months store in a dry place.

IMPORTANT: *to avoid damage caused by mould or oxidation never put your umbrella away in wet or damp condition.*



C-SERIES PARTS LIST

covers models

C02/Tuscany • C03/Capri • C04/Elba • C05/Como • C06 Paragon • C07/C08 /Eclipse

Shown in Fig.#	Part Description	Part ID
1	Hardware bag for freestanding base	M1
2	Center base cross – bottom notched	A1
2	Center base cross – top notched	B1
2	Base cross extensions (4 per base)	B2
2	Base tube with stamped bottom plate	C1
Not shown	Nylon cover plate for base bolts	O1
2	Nylon rotation disk with holes for locking pin	O2
2	Brass rotation locking pin	U1
3a	Upright pole	D1
3a	Corner pulley for upright pole	S1
3a	Aluminum elbow for top of upright pole – <i>C02 Tuscany only</i>	TD2
3a	Wood pole section for upright pole – <i>C02 Tuscany only</i>	TD3
3a	Angled pole bottom section to fit over base tube – <i>C02 Tuscany only</i>	TD4
3a	Cantilever pole – aluminum extrusion only	E1
3a	Tilt mechanism complete, to insert into cantilever pole extrusion	Q1
3a	Cantilever pole complete <i>with</i> tilt mechanism	EQ
3a	S/S Bolt 5/16"x3 1/4", nut & washer to connect upright and cantilever pole	P1
3c	Top casting nylon with pulley	R1
3d	Crank box with S/S cable, complete	G1
3d	Crank box plastic cover <i>only</i> , with aluminum face plate	G2
3d	Crank handle	H1
3d	Knob to attach crank box	T1



Shown in Fig.#	Part Description	Part ID
4	Tilt adjustment key complete with nylon handle and string	N1
4	Nylon handle <i>only</i> for tilt key	N2
6	Rain cap	L1
6	Removable Rain Cap Rod	I1
7	Locking screw for s/s cable loop – <i>nylon hubs only</i>	V1
7	Locking screw for s/s cable loop – <i>wood hubs only</i>	V2
7a	Attachment tab to fasten umbrella cover to rib ends	X1
7b	Center tube with conical end cap	J1
7b	Rubber seal ring for center tube	J2
Not shown	Rib spreader / stopper ring for center tube	J3
7b	S/S fastening bolt 1/4" x 2 1/2" with locking nut and washer, for top casting	V4
8	Bottom hub	Y1
8a	Top hub	Y2
8a	Welded wire ring – <i>nylon hubs only</i>	Y3
8a	Center tube assembly complete with top hub and spreader ring	YJ
8a	Nylon insert for aluminum rib – with attachment screw for umbrella cover	REA
8a	Nylon insert for aluminum rib – slotted hook end, connecting rib to hub	REH
8a	Nylon insert for aluminum rib – strut to rib connection, with bolt to replace rivet	RER
8	Aluminum rib 62.5" for C- Series 10.5' / 6 rib umbrellas, complete with strut	W01
8	Long aluminum rib 75 1/4" for C04/C07/C08, complete with strut	W02
8	Short aluminum rib 54" for C04/C07/C08, complete with strut	W03
8	Wood rib 63" for C02 Tuscany , complete with strut	TWR
7a	Brass cap nut to attach umbrella cover – <i>C02 Tuscany only</i>	TWN

ALWAYS SPECIFY UMBRELLA MODEL WHEN ORDERING PARTS!

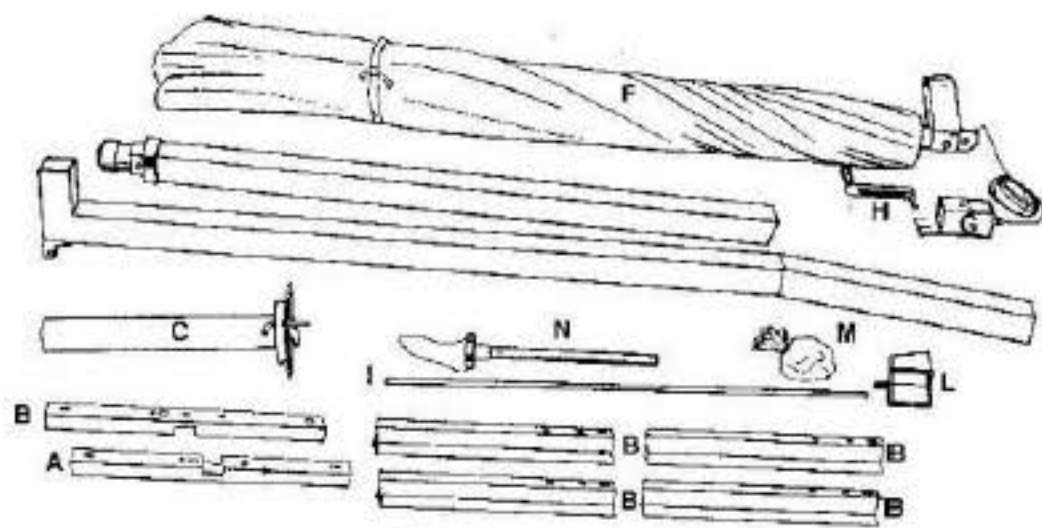


Fig. 1

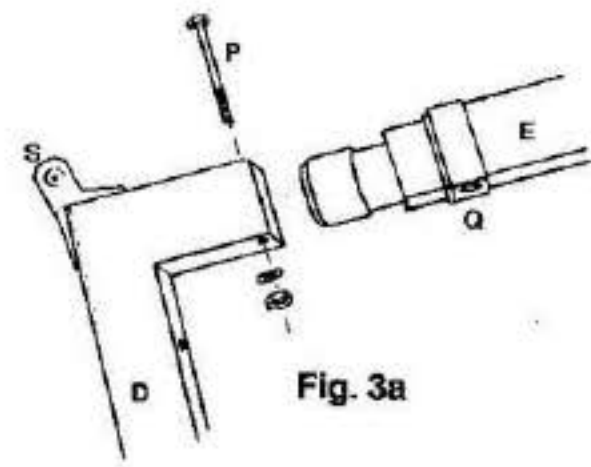


Fig. 3a

Parts Diagram Page 1 of 2

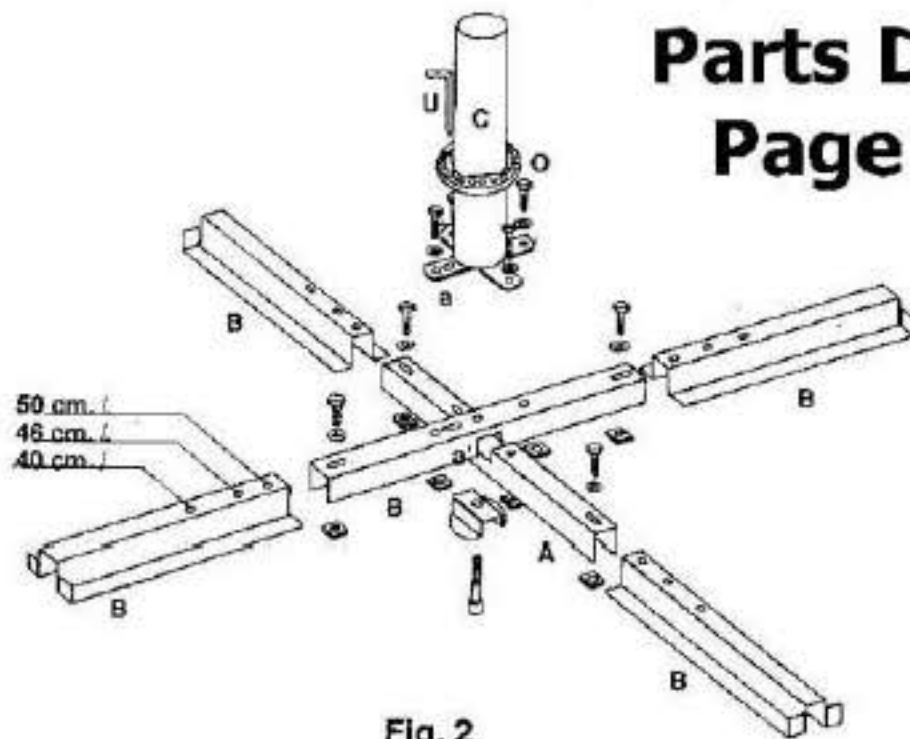


Fig. 2

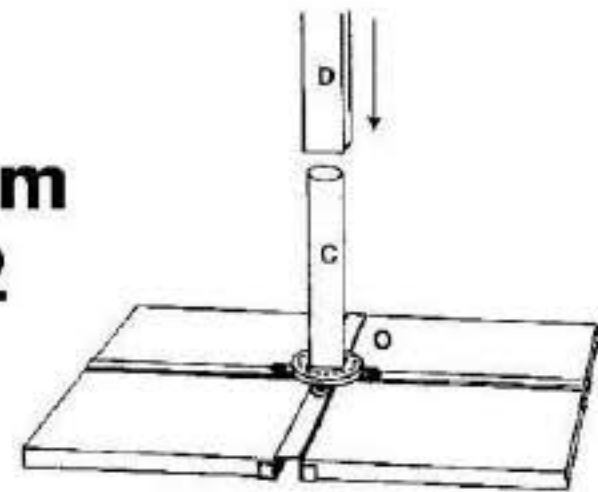


Fig. 3b

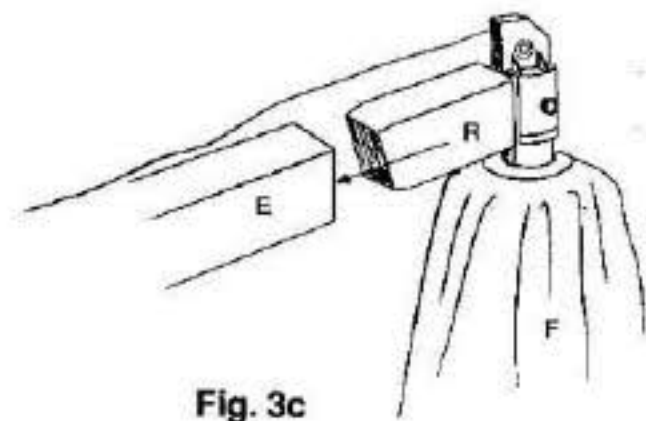


Fig. 3c

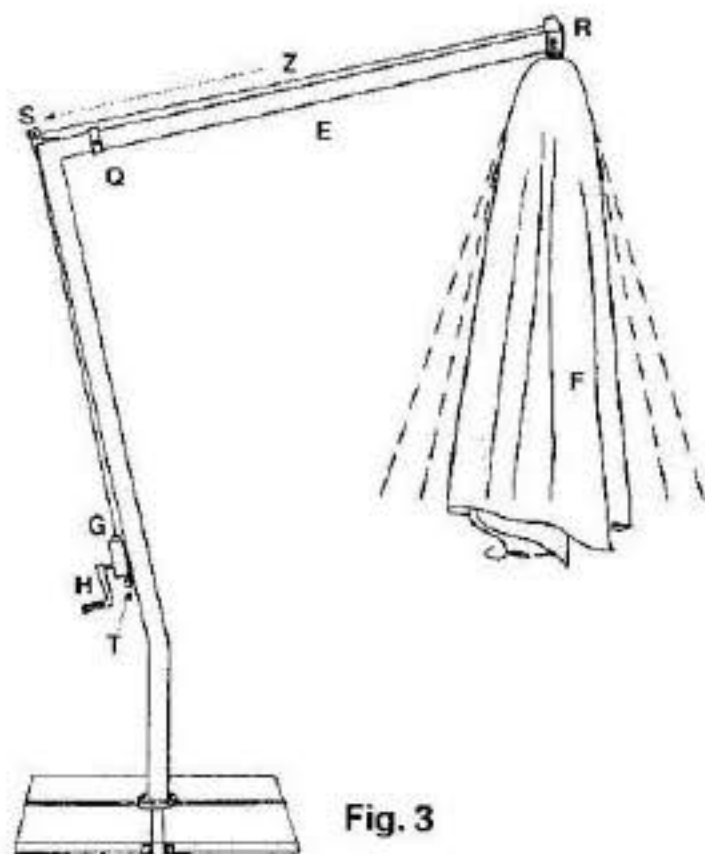


Fig. 3

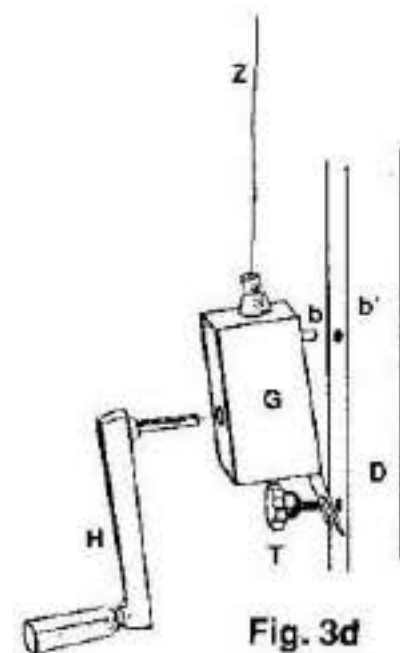


Fig. 3d

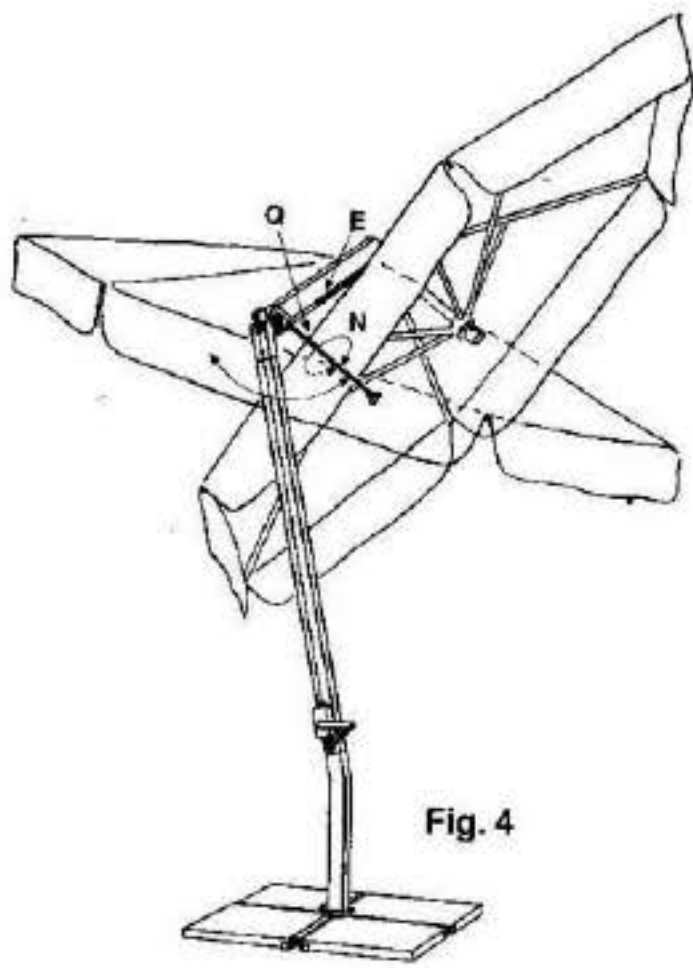


Fig. 4

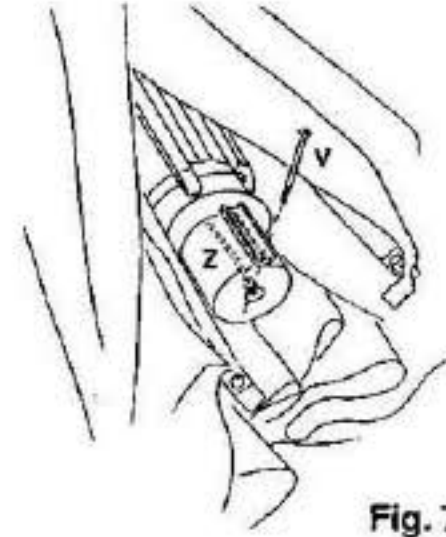


Fig. 7

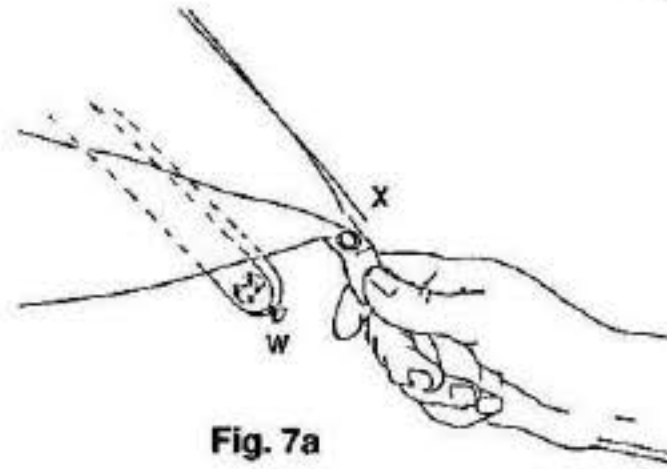


Fig. 7a

**Parts Diagram
Page 2 of 2**

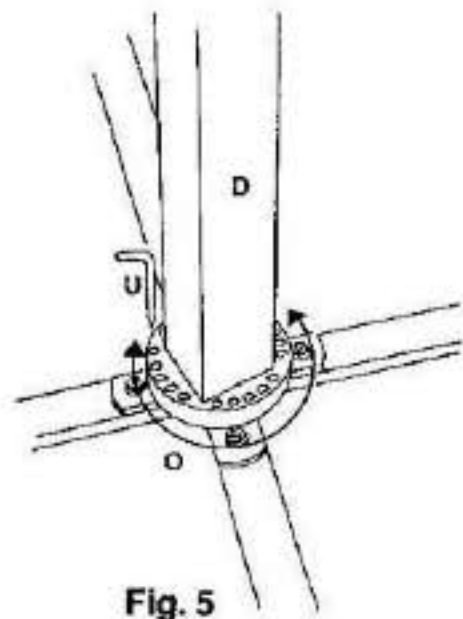


Fig. 5

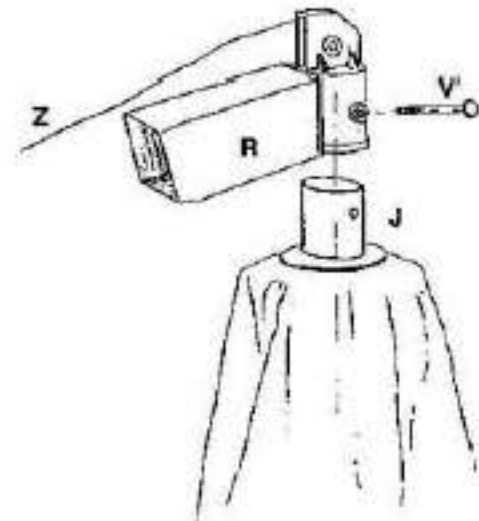


Fig. 7b

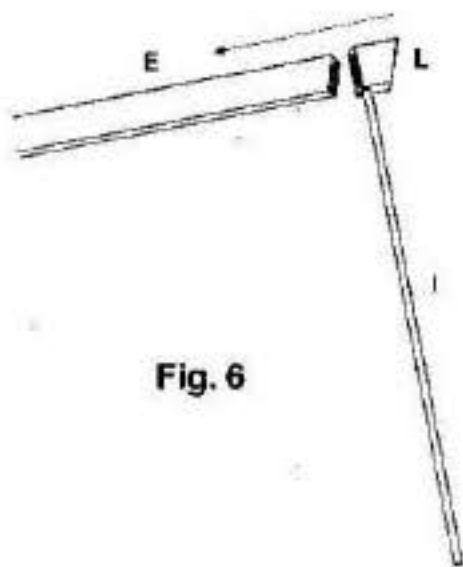


Fig. 6

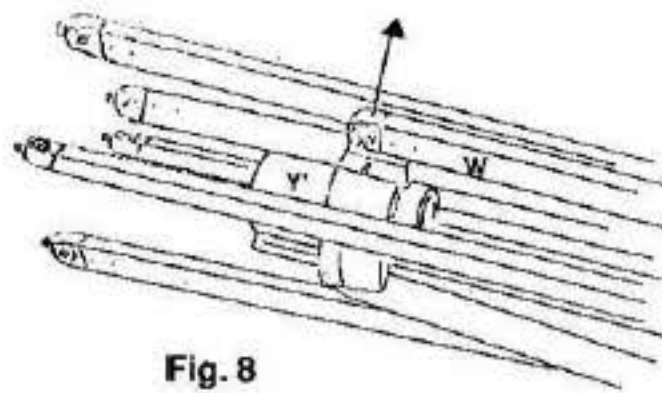


Fig. 8

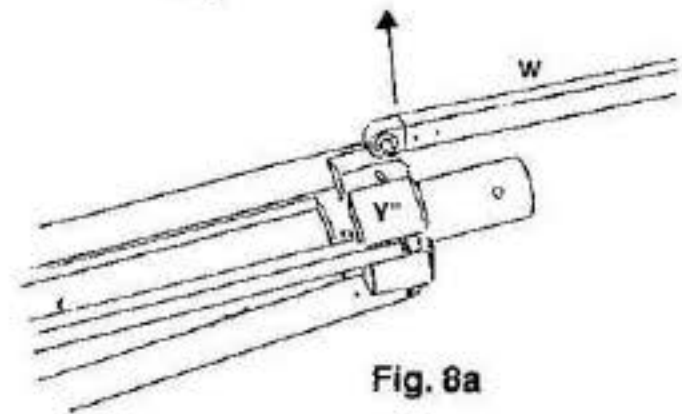


Fig. 8a

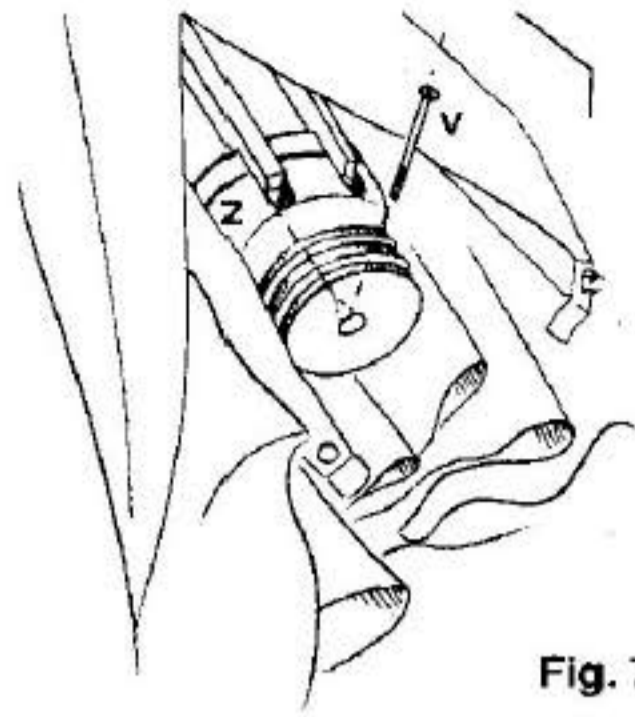


Fig. 7

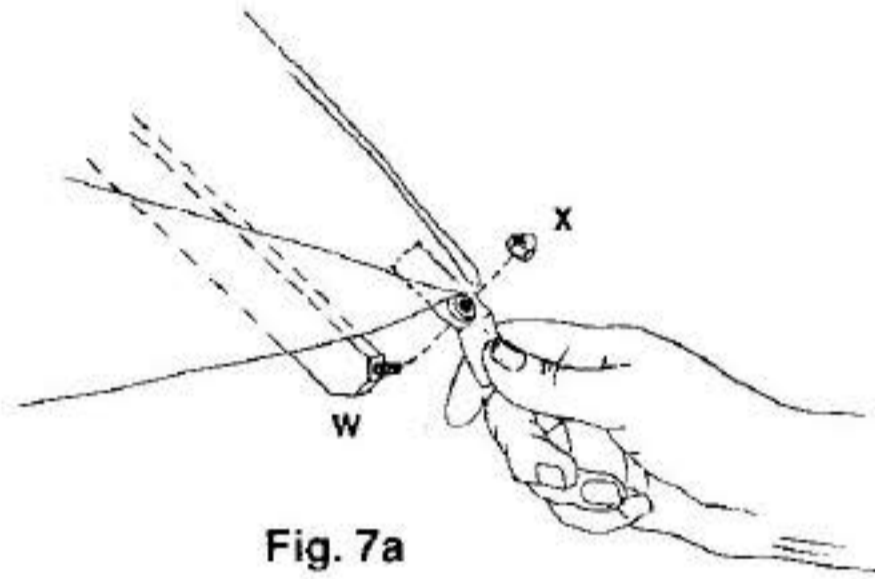


Fig. 7a

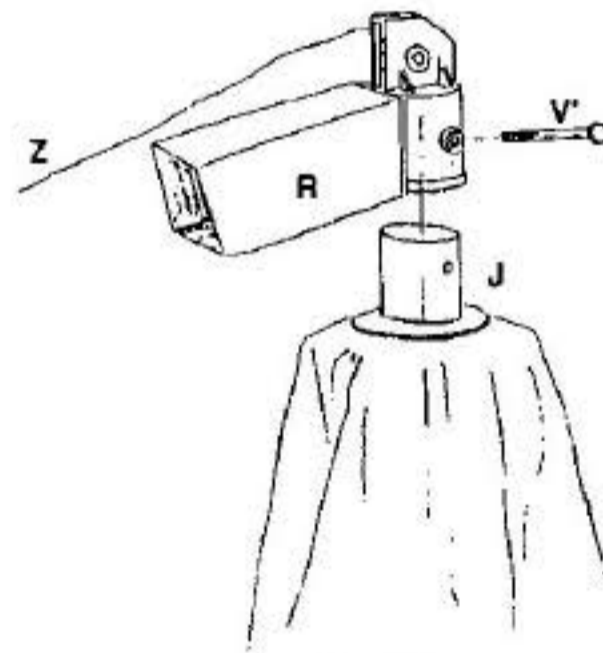


Fig. 7b

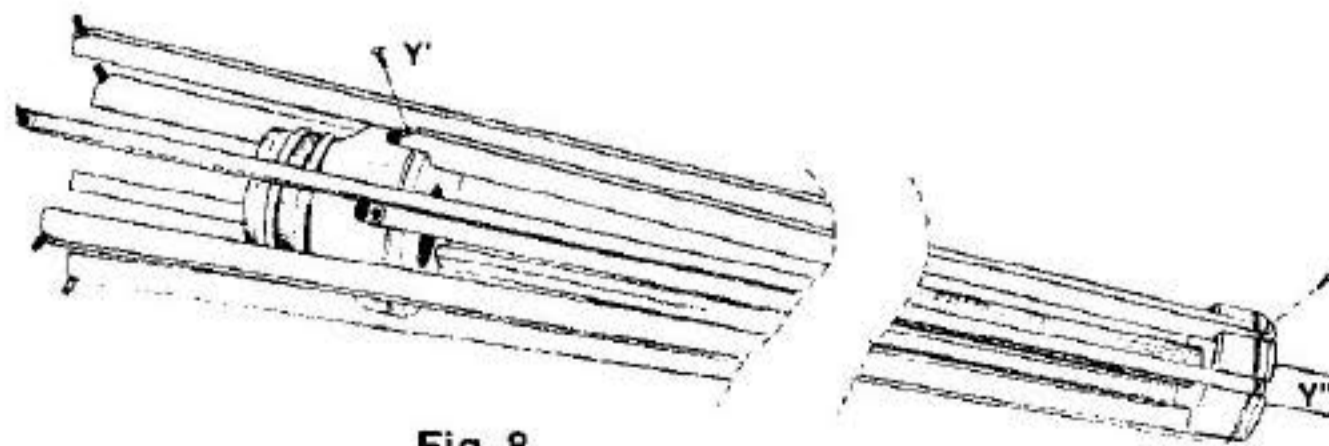


Fig. 8