

SOMBRANO® S⁺
The flagship parasol



Glatz 

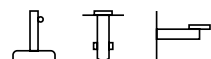
SOMBRANO® S+



Frame	8 parts Mast profile oval 66 × 95 × 3 mm Crank drive for opening and closing Roof pitch in both directions up to 54° using a comfort crank Ball-bearing turnable base with pedal for 360° rotation Crank housing, trolley, support arm guide and head made from die-cast aluminium Screws and rivets made from stainless steel Canopy self-tensing through flexible rib ends Frame roof: round, square, rectangular
Frame colour	Natural anodised or anthracite powder-coated aluminium
Canopy	Fabric quality 5: polyacrylic, 300 g/m ² , UV protection > 98 % Fabric quality 4: polyester, 250 g/m ² , UV protection > 98 % Fabric quality 2: polyester, 220 g/m ² , UV protection > 98 %, (Only in anthracite frame)
Flounce	Only available without
Protective cover	Included in delivery
Electrical accessories	Osyriion Spot LED with integrated battery pack



Using Locations



Fixations



SOMBRANO® S+
Int. Patents reg. © Int. Design reg.



Swiss
Design

Assortment

	Nominal size without flounce	Number of ribs	Order no. Frame anodised natural	Order no. Frame anthracite
○	cm			
	Ø 350	8 parts	085 00 350 171	085 00 350 301
	Ø 400	8 parts	085 00 400 171	085 00 400 301
□	300×300	8 parts	085 00 310 171	085 00 310 301
	350×350	8 parts	085 00 351 171	085 00 351 301
□	400×300	8 parts	085 00 402 171	085 00 402 301

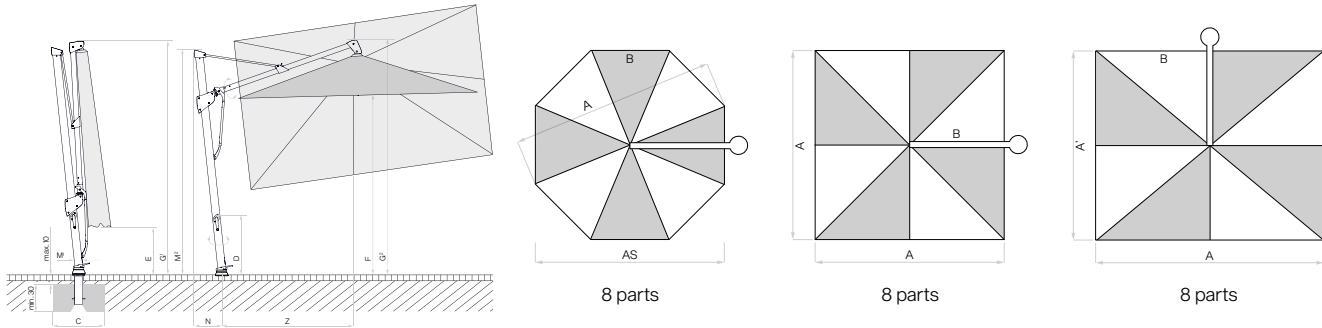
Nominal size	Lateral distance	Mast Ø	Area covered	Crank height	Height closed	Clear headroom	Tolerance clear headroom	Total height/ headroom open	Height of mast	Overhang at the back	Length of free-arm	Founda- tion	Minimum weight for base	max. wind speed open perm.
cm	cm	cm	m ²	cm	cm	cm	cm	cm	cm	cm	cm	cm	kg	km/h (Bft.)
A	AS	M ¹	B	D	E	F		G ¹ /G ²	M ²	N	Z	C		
Ø 350	325	6.6×9.5	9.6	69	90	205	9.1	285/285	275	33	165	60×60	120	45 (6)
Ø 400	370	6.6×9.5	12.6	69	85	210	9.2	300/295	275	33	185	60×60	180	35 (5)
300×300	-	6.6×9.5	9	69	55	215	9.3	285/285	275	33	165	60×60	120	45 (6)
350×350	-	6.6×9.5	12.2	69	40	215	9.3	300/295	275	33	185	60×60	180	35 (5)
400×300	-	6.6×9.5	12	69	35	210	9.2	300/295	275	33	185	60×60	180	35 (5)

The listed measures represent extrapolated average values that may be slightly different on the product ($\pm 2\% \pm 5$ cm).

The height dimensions are based on the ground socket M4. With the base M4, 120 kg these vary by plus 11.5 cm and with the base M4, 180 kg by plus 15.5 cm.

The max. wind speed limits as per our separate sheet apply only if the parasol canopy is in a horizontal position and if there is a fix ground anchorage.

In the presence of several parasols, the minimum distance between one parasol and another and between parasols and walls shall be 20 cm.



Loose cover max. 10 cm, concrete thickness min. 30 cm (pay attention to frost depth),
Guarantee water drainage

Accessories

	Absolutely necessary	Order no.
Protective cover made of coated, tear-resistant polyester fabric		
1 Protective cover with zip and rod for the Sombrano, Ø 350, 300×300		350 01 221 492
5 pieces, protective cover with zip and rod for the Sombrano, Ø 350, 300×300		350 01 221 493
1 Protective cover with zip and rod for the Sombrano, Ø 400, 400×300, 350×350		350 01 221 502
5 pieces, protective cover with zip and rod for the Sombrano, Ø 400, 400×300, 350×350		350 01 221 503
Electrical accessories		
2 OSYRION Spot LED battery-powered light, set of 2, with remote control, including charger		350 01 563 000
3 OSYRION Spot LED battery-powered light, set of 4, with remote control, including charger		350 01 563 100



1 2 3 4 5 6 7 8 9 10

Fixations	Absolutely necessary	Order no.
Ground sockets		
4 Ground socket M4, galvanised steel		350 01 226 510
Mounting plates		
5 Mounting plate M4 /M8, 30 × 30 × 1.5 cm, galvanised steel		350 01 226 921
6 Mounting plate M4 special, for installation height 50–149 mm, galvanised steel		350 01 226 932
7 Mounting plate M4 special, for installation height 150–350 mm, galvanised steel		350 01 226 930
Mounting plate M4 for isolated grounds, installation height made to measure, high-grade steel 1.4301 / 304		350 01 229 730
Wall consoles		
8 Wall console M4, extension 480 mm, galvanised steel		350 01 229 405
9 Wall console M4, extension 100 mm, galvanised steel		350 01 229 410
Bases		
10 Base frame M4, 120 kg, (for 8 plates 40 × 40 × 4 cm), 91 × 91 × 11.5–15.5 cm, galvanised steel, adjustable and levellable (price without plates)		350 01 108 235
Slab set, 8 pieces, 40 × 40 × 4 cm, (approx. 110 kg), concrete		350 01 226 908
Slab set, 8 pieces, 40 × 40 × 4 cm, (approx. 115 kg), 4 pieces concrete, 4 pieces in granite-look		350 01 226 909
11 Cover for M4 base 120 kg, 96 × 96 × 11.5 cm, plastic ABS coated, anodised aluminium look		350 01 100 617
12 Cover for M4 base 120 kg, 96 × 96 × 11.5 cm, plastic ABS coated, anthracite		350 01 100 630
13 Base frame M4, 180 kg, (for 12 plates 40 × 40 × 4 cm), 91 × 91 × 15.5–19.5 cm, galvanised steel, adjustable and levellable (price without plates)		350 01 108 335
Slab set, 12 pieces, 40 × 40 × 4 cm, (approx. 165 kg), concrete		350 01 226 907
Slab set, 12 pieces, 40 × 40 × 4 cm, (approx. 170 kg), 8 pieces concrete, 4 pieces in granite-look		350 01 226 906
11 Cover for M4 base 180 kg, 96 × 96 × 15 cm, plastic ABS coated, anodised aluminium look		350 01 100 717
12 Cover for M4 base 180 kg, 96 × 96 × 15 cm, plastic ABS coated, anthracite		350 01 100 730
³ Set of castors for base M4 120 kg / 180 kg, (maximum weight 240 kg), Ø 5 cm, H = 5.5 cm, galvanised steel		350 01 100 500
Bases with castors		
13 ³ Base frame with castors M4, 120 kg, 80 × 80 × 14.6 cm, galvanised steel, matt white, frame approx. 30 kg (without decorative plate) NEW	Weight Set + Decorative plate	350 01 110 410
13 ³ Base frame with castors M4, 120 kg, 80 × 80 × 14.6 cm, galvanised steel, anthracite, frame approx. 30 kg (without decorative plate) NEW	Weight Set + Decorative plate	350 01 110 420
Weight Set for base with castors M4, 120 kg, 4 pieces, concrete, (Weight Set approx. 90 kg) NEW		350 01 110 500
Decorative plate in grey for base with castors M4, 120 kg, plastic NEW		350 01 110 610
Decorative plate in anthracite for base with castors M4, 120 kg, plastic NEW		350 01 110 620
Decorative plate in sand for base with castors M4, 120 kg, plastic NEW		350 01 110 630
14 ³ Natural granite base M4, 120 kg, 90 × 90 × 17 cm, natural stone, with castors		350 01 109 475
15 ^{1,3} Base frame with castors M4, 150 kg, 80 × 80 × 14 cm, galvanised steel	Support tube M4	350 01 103 000
15 ¹ Cast concrete decor weights set, 4 pieces 25101104500 (approx. 125 kg) for 350 01 103 000		350 01 103 100
13 ³ Base frame with castors M4, 180 kg, 94 × 94 × 14.6 cm, galvanised steel, matt white, frame approx. 30 kg (without decorative plate) NEW	Weight Set + Decorative plate	350 01 110 710
13 ³ Base frame with castors M4, 180 kg, 94 × 94 × 14.6 cm, galvanised steel, anthracite, frame approx. 30 kg (without decorative plate) NEW	Weight Set + Decorative plate	350 01 110 720
Weight Set for base with castors M4, 180 kg, 4 pieces, concrete, (Weight Set approx. 150 kg) NEW		350 01 110 800
Decorative plate in grey for base with castors M4, 180 kg, plastic NEW		350 01 110 910
Decorative plate in anthracite for base with castors M4, 180 kg, plastic NEW		350 01 110 920
Decorative plate in sand for base with castors M4, 180 kg, plastic NEW		350 01 110 930

¹ while stocks last

³ only suitable for smooth, joint free surface coverings



11

12

13

14

15





Glatz AG
Parasols
2023 Season

[glatz.com](https://www.glatz.com)

